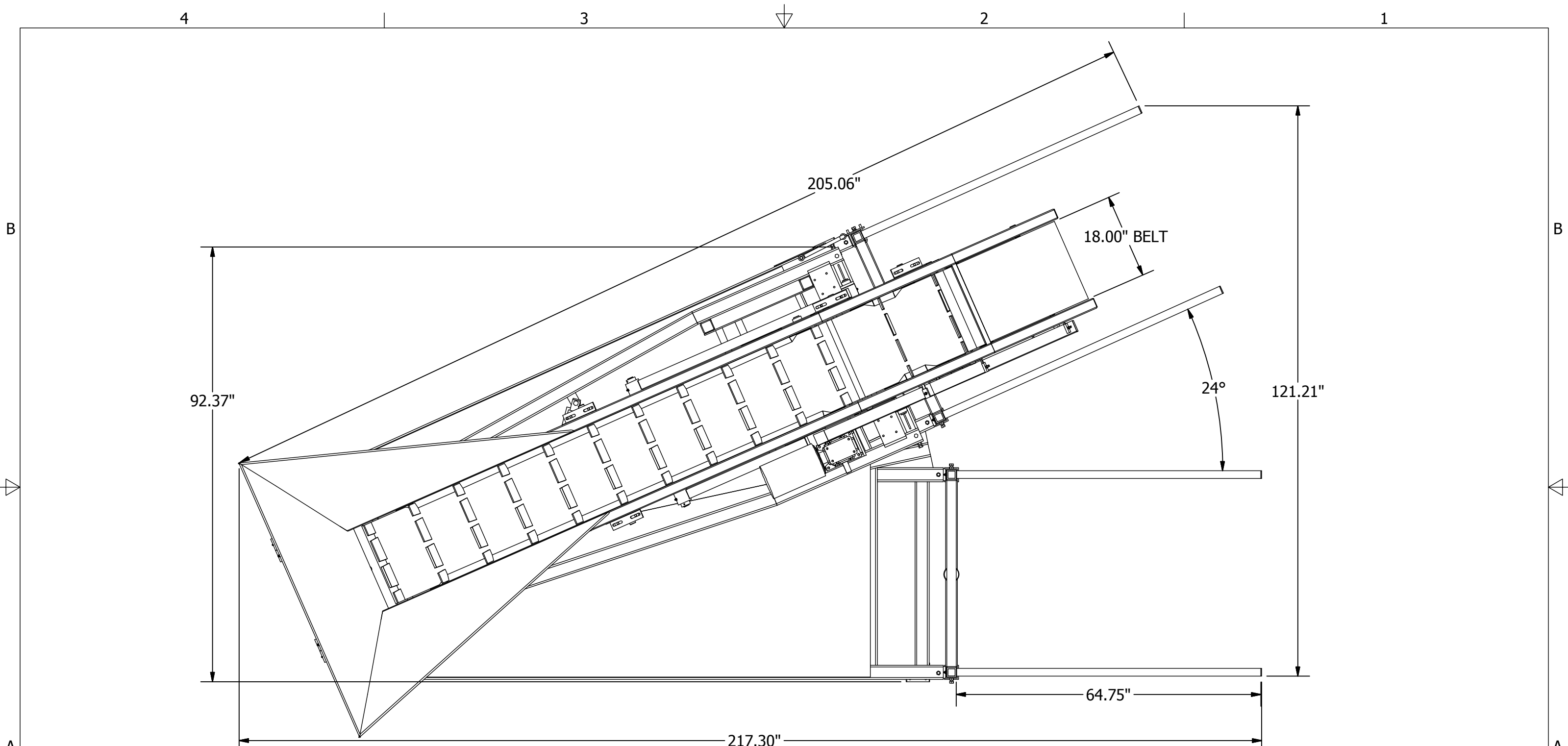


DRAWN jshide	1/13/2012	TRI-STEEL MFG		
CHECKED		TITLE		
QA		DUAL TOTE-BAG FILLER		Proprietary and Confidential The information contained in this drawing is the sole property of Tri-Steel Manufacturing. Any reproduction in part or as a whole without written consent of Tri-Steel Manufacturing is prohibited. © Tri-Steel Manufacturing 2009
MFG		SIZE	DWG NO	REV
APPROVED		B	20147	
		SCALE	SHEET 1 OF 3	



DRAWN jshide	1/13/2012	TRI-STEEL MFG		
CHECKED				
QA		TITLE		
MFG		DUAL TOTE-BAG FILLER		
APPROVED		<small>Proprietary and Confidential</small> <small>The information contained in this drawing is the sole property of Tri-Steel Manufacturing. Any reproduction in part or as a whole without written consent of Tri-Steel Manufacturing is prohibited.</small> <small>© Tri-Steel Manufacturing 2009</small>		
		SIZE	DWG NO	REV
		B	20147	
		SCALE	SHEET 2 OF 3	

MACHINE MAXIMUM HIEGHT WHEN LIFT CYLINDER
IS FULLY EXTENDED IS 141.7" OR 11.8 FEET FROM
FLOOR TO THE TALLEST POINT ON MACHINE.

MINIMUM HIEGHT
89.41" OR 7.5 FEET

DRAWN jshide	1/13/2012	TRI-STEEL MFG		
CHECKED				
QA				
MFG				
APPROVED				
		TITLE		<small>Proprietary and Confidential</small> The information contained in this drawing is the sole property of Tri-Steel Manufacturing. Any reproduction in part or as a whole without written consent of Tri-Steel Manufacturing is prohibited. © Tri-Steel Manufacturing 2009
		DUAL TOTE-BAG FILLER		
		SIZE	DWG NO	REV
		B	20147	
		SCALE	SHEET 3 OF 3	