

TONG

WEIGHING & BAGGING

QUALITY HANDLING EQUIPMENT



Our range of weighing equipment offers effective filling and weighing of bags from 5kg to 50kg

Tong Engineering offers a wide range of vegetable weighers which can feed and weigh crop directly in the bag, or pre-weigh in a holding tank and fill bags or trays.

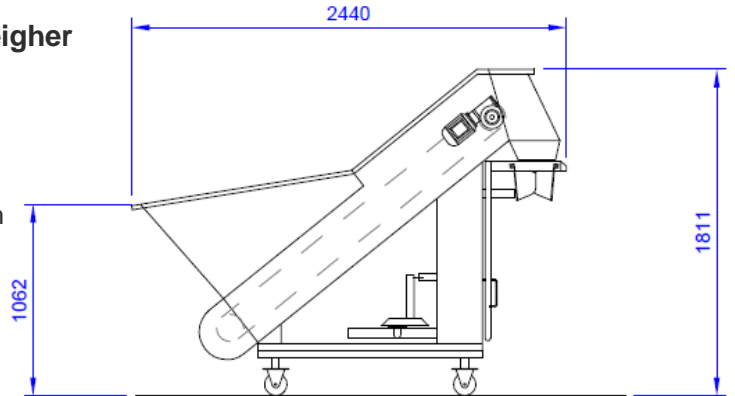
Suitable for weighing crop into pack sizes of 5kg and above, Tong weighers are built to offer high throughputs, with capacities ranging from 1tph to 25tph, in mild or stainless steel construction.

WEIGHER SPECIFICATION DATA



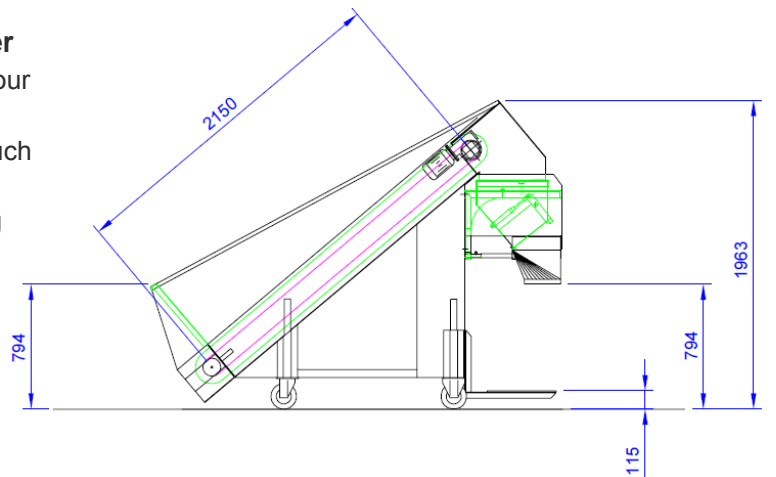
Model 1025 mechanical weigher

- Up to 10tph capacity
- 380mm wide main belt - 100mm wide trickle belt
- Pneumatic bag clamp
- Adjustable height bag platform



Model 2509 tank weigher

- Up to 350 operations an hour
- Over 8tph on 25kg
- Load cell weighing with touch screen calibration
- Weighs from 2.5kg to 25kg
- Foot pedal tank emptying



Model 2520 twin tank weigher

- High capacity machine suitable for 10kg to 25kg packs
- Up to 550 operations an hour - up to 14tph on 25kg
- Twin belt feed
- Load cell weighing with touch screen calibration
- Side delivery crop conveyor
- Pneumatic bag holder

