

# EASYGRADE SCREEN SIZING

## QUALITY HANDLING EQUIPMENT



EasyGrade screen grading line



Steel screen grading



Rubber screen grading

**Tong Engineering is Europe's largest producer of grading screens, with over 40 years experience in manufacturing market-leading grading screen sizing modules**

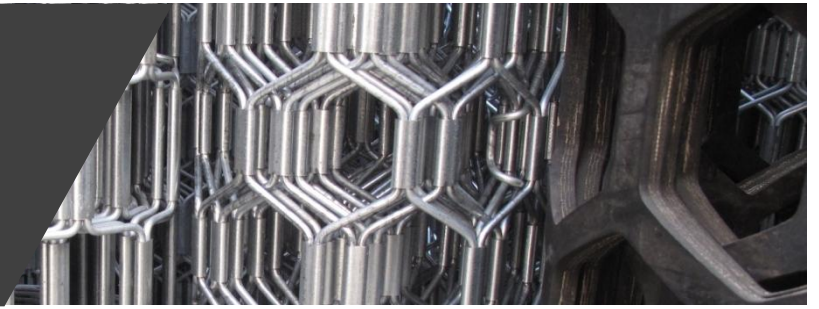
Designed to meet your specific requirements, Tong EasyGrade screen sizing modules are manufactured to offer accurate and gentle grading of crop, with high capacity throughputs of up to 50 tonnes per hour.

Manufactured in a range of models and configured to offer the complete solution to your grading needs, each EasyGrade screen features:

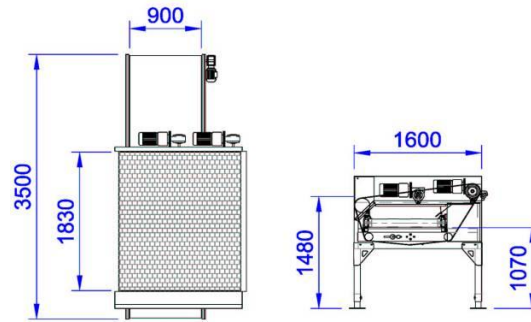
- Dual pintle roller drive
- Variable speed screen motor
- Variable speed agitator motor
- Long tuber handling device



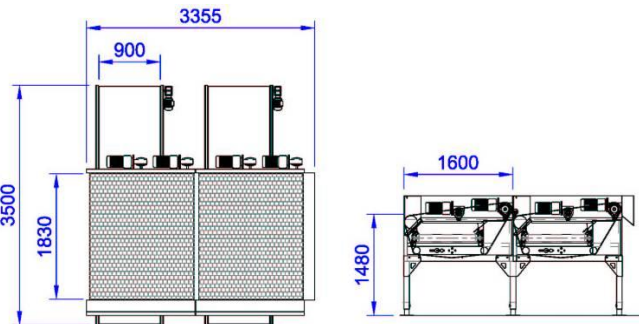
# EASYGRADE SCREEN SPECIFICATION DATA



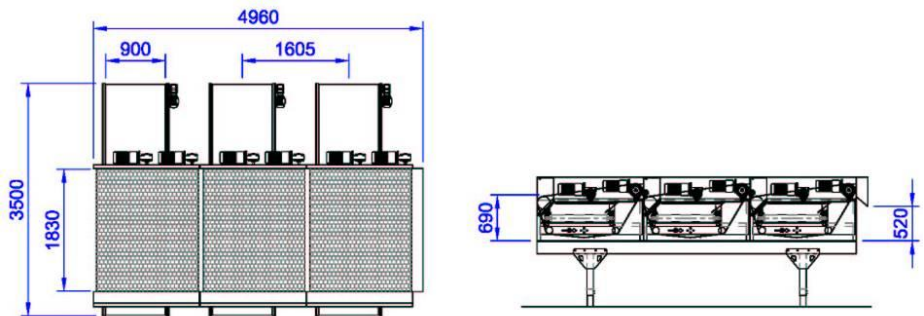
## Single EasyGrade



## Twin EasyGrade



## Triple EasyGrade



T/ +44 (0)1790 752771  
F/ +44 (0)1790 753611  
E/ sales@tongengineering.com

Tong Engineering Ltd, Ashby Road, Spilsby, Lincolnshire, PE23 5DW

WWW.TONGENGINEERING.COM